

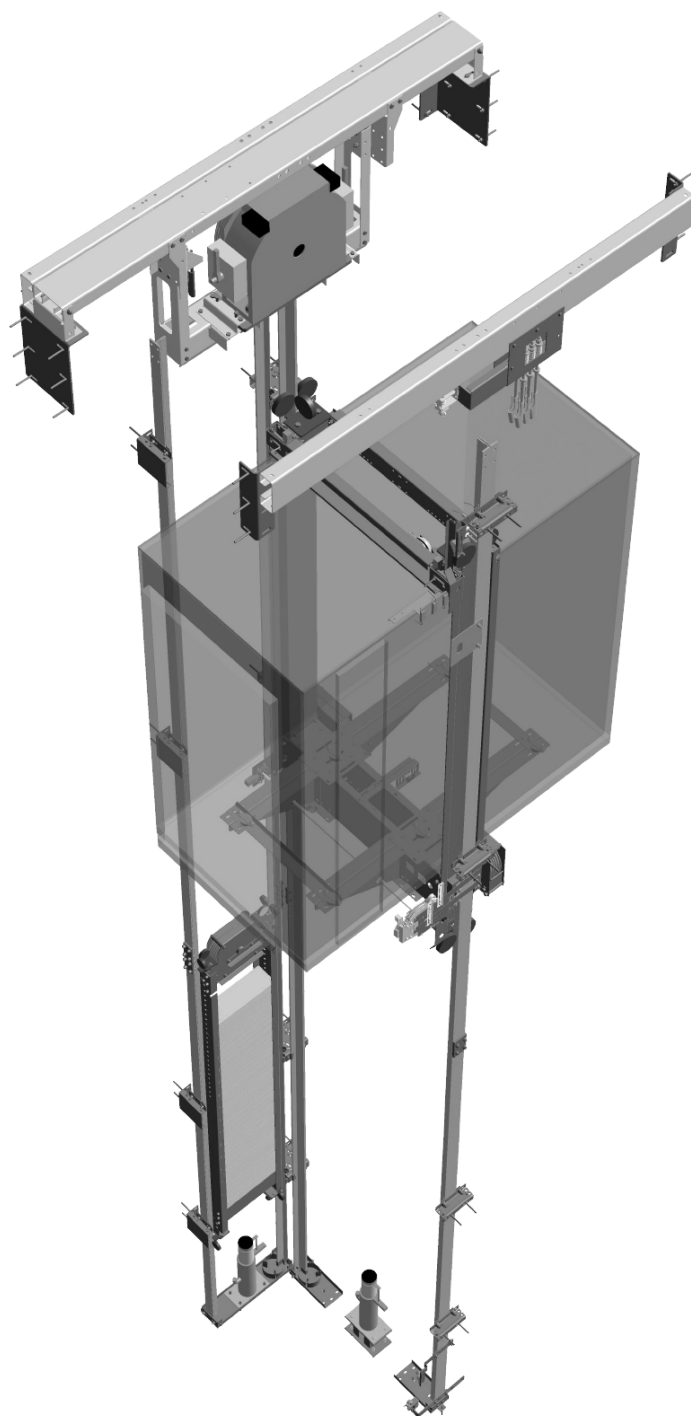
# Enviro Trend 2

**Ideal for offices, hospitals  
and public buildings (1.6 m/s)**

- MRL lift.
- Ranging a rated load capacity from 630 to 1,000 kg at rated speeds of 1 or 1.6 m/s.
- Our gearless motor is light, compact, energy-efficient and eco-friendly.
- Easy to install and maintain. Special installation tools available on request.
- Equipped with Direct Approach System as standard.
- EN81-20 compliant.

## Enviro Trend 2

Building type	  
Load	630-1000 kg
Speed	1.6 m/s
Min. Pit	1300 mm
Min. Headroom	3800 mm
Roping	2 : 1
Openings	0° - 180°
Sling type	Conventional pulleys below
Machine	MINI 3-10-800 MINI 4-10-1000
Guide Rails	Car T82/A Counterweight T50/A
Car Frame	(P+Q) Max 2350 kg
Ropes	Diameter= 8 mm 8x19-S+(5x7+1)





Rated Load (kg)	Nº of people	Speed (m/s)	Entrances Nº/Angle	Car Size		Shaft Size		Pit	Headroom	Doors**	Machine Power/Current
				Width	Depth	Width	Depth*				
630	8	1.6	1/0°	1100	1400	1650	1700	1300	3800	2PSO 900	MINI 3-16-800 8,7kW / IN= 21,5A IS= 32,25A
			2/180°			1650	1850			2PCO 900	
			1/0°			1950	1700			2PSO 900	
			2/180°			1950	1850			2PCO 900	
750	10		1/0°	1100	1600	1650	1875			2PSO 900	
			2/180°			1650	2000			2PCO 900	
			1/0°			1950	1850			2PSO 900	
			2/180°			1950	1975			2PCO 900	
			1/0°	1300	1400	1850	1675			2PSO 900	
			2/180°			1900	1800			2PCO 900	
			1/0°			1950	1675			2PSO 900	
			2/180°			1950	1775			2PCO 900	
1000	13	1/0°	1100	2100	1650	2375	2PSO 900				
		2/180°			1650	2500	2PCO 900				
		1/0°			1950	2375	2PSO 1100				
		2/180°			1950	2475	2PCO 900				
		1/0°	1600	1400	2150	1675	2PSO 1100				
		2/180°			2150	1800	2PCO 900				
		1/0°			2150	1700	2PSO 1100				
		2/180°			2175	1775	2PCO 900				

\*Shaft depth dimensions consider landing doors 25mm inside the shaft

\*\*Calculations made for SELCOM WITTUR HYDRA doors.

Unless stated otherwise, all dimensions are expressed in millimetres.

## Operational ranges

<b>Shaft</b>	Pit:	Standard minimum: 1300 mm
	Headroom:	Standard minimum (2200 mm high car): 3800 mm Reduced min. (2050 mm high car): 3650 mm
	Minimum width:	Car width + 550 mm

<b>Car</b>	Minimum width:	1000 mm
	Maximum width:	1650 mm
	Minimum depth:	1400 mm
	Maximum depth:	2100 mm
	Standard Height:	2200 mm



Click here for more information about this product  
[www.gle-lifts.com](http://www.gle-lifts.com)